

Case Study – Vehicle Access

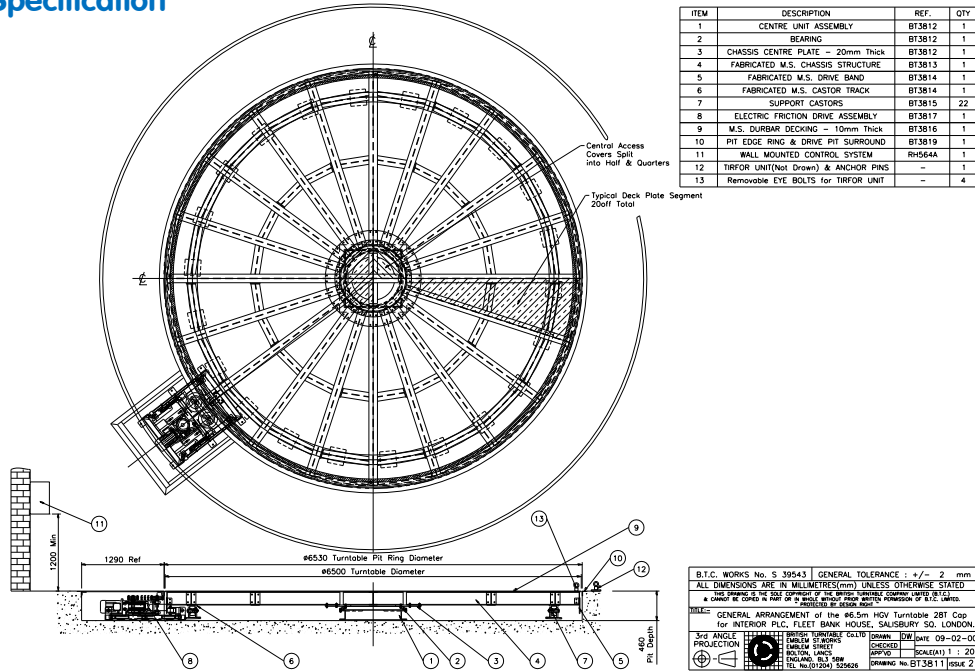


Client: Interior Plc, Installed at Fleetbank House, Salisbury Square, London, EC4

Synopsis: **Movetech UK** was contracted by Interiors Plc to design and install a vehicle access revolve, during a refurbishment contract for this London office block.

Located on a public cul-de-sac, the revolve was purposely designed to enable all delivery and public vehicles entering the area to be rotated quickly and safely, therefore creating the added benefit of eliminating the need for multi-point turns. Rotating at a controlled fixed speed in either direction, this 6.5 metre diameter, 28 tonne capacity turntable, manoeuvres any vehicle entering this restricted area safely, and is in use all year round in all weather conditions.

Turntable Specification



Construction: Steel universal beam construction.

Diameter: 6.5 metre **Capacity:** 28 tonnes

Height: 460mm **Speed:** 0.6 rpm

Motor: Synchronous, 3ph, 3kW

Control: 'Dead man' push-button, control box operation mounted on adjacent wall. Fixed speed, forward/reverse, with emergency stop button.

Drive: Electric peripheral friction wheel drive.

Features: External, weatherproof control box with security key access to provide protection against public vandalism. In unlikely event of turntable failure, a portable external winch is provided to enable manual rotation. Yellow markers are provided on the turntable to guide drivers into position. 10mm mild steel durbar decking is used.

Finish: All steelwork zinc metal sprayed and sealed black for corrosion protection.